

MIGHTY CRANE Option for **CR335D**



An introduction to wide variety of applications

Increase your crane's utilization

Total rated load
400kg / 881lb

Fly-jib option

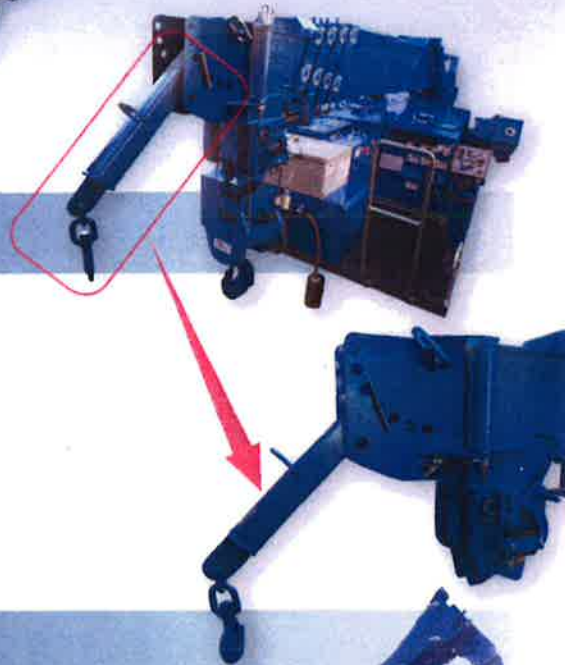
- Able to handle loads by straddling obstacles (fence/wall/electric cable, e.t.c.)
- Easy-to-install/stow on the side of the crane boom.



Total rated load
450kg / 992lb

Searcher hook option

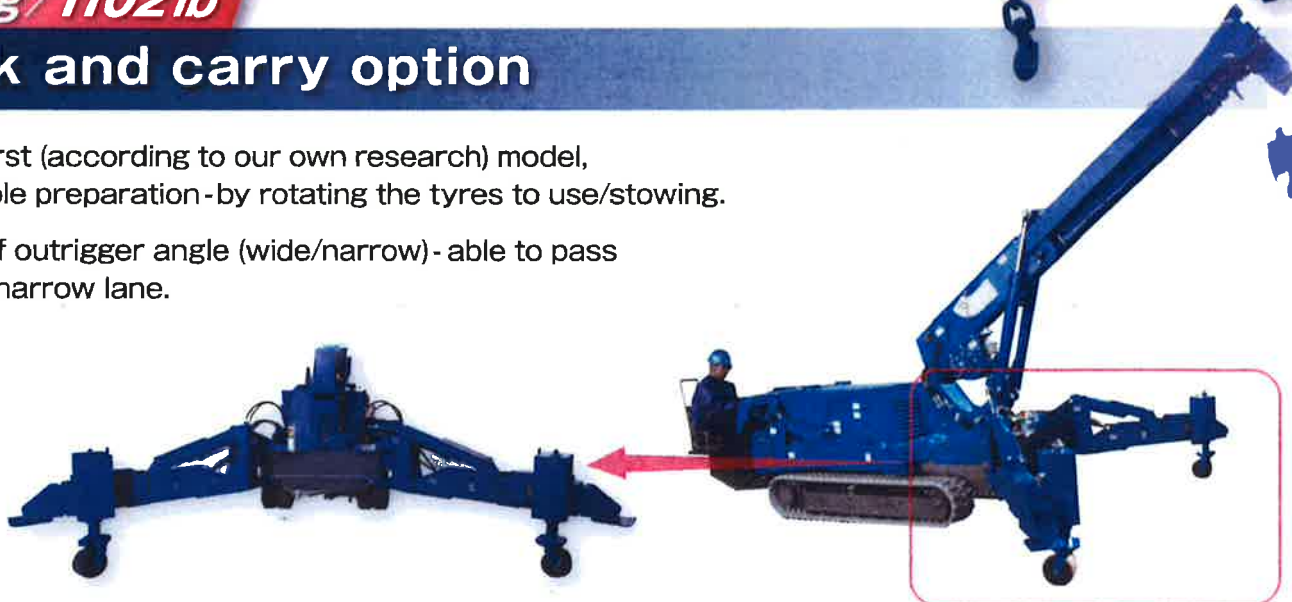
- Available to work in such area as near walls/ceiling, where normal hook block cannot reach to use.
- Wide variety of applications, e.g. installment of large panel/sash/glass/curtain wall



Total rated load
500kg / 1102lb

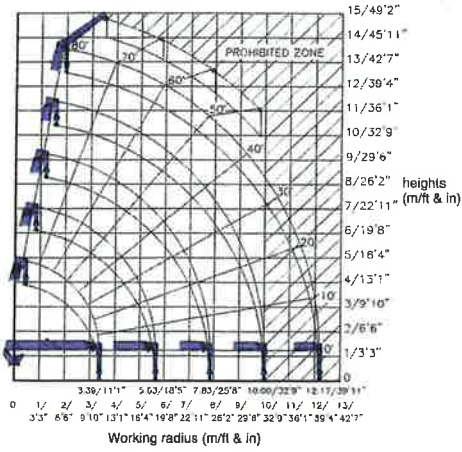
Pick and carry option

- World-first (according to our own research) model, The simple preparation-by rotating the tyres to use/stowing.
- 2ways of outrigger angle (wide/narrow)- able to pass through narrow lane.



Fly-jib option

Working range



The total rated loads (outrigger at max extension)

2m/6'6" fly jib (1 fall)	
working radius (m/ft & in)	total rated load (ton/lb)
5.0/16'4" or less	0.44/970
6.0/19'8"	0.40/881
7.0/22'11"	0.32/705
8.0/26'2"	0.26/573
9.0/29'6"	0.23/507
10.0/32'9"	0.2/440

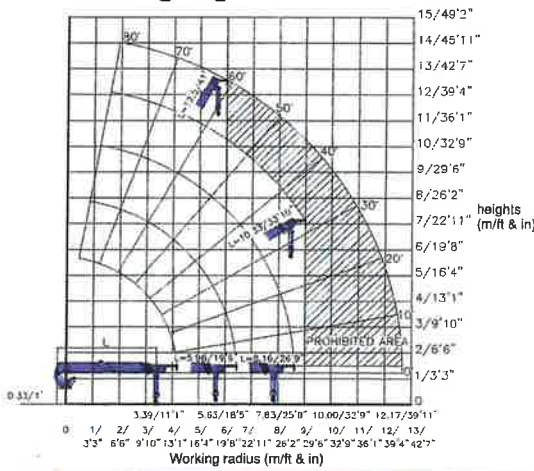
※The total rated load is based on the actual working radius including the deflection of the crane boom, the weight of hook block(30kg/66 lb) on a flat surface condition.

※Fly jib has 2 types of tilt angles (35/45degrees) which has the same total rated loads.

Fly jib length 2m/6'6"
dead load weight 53kg/116 lb

Searcher hook option

Working range



The total rated loads (outrigger at max extension)

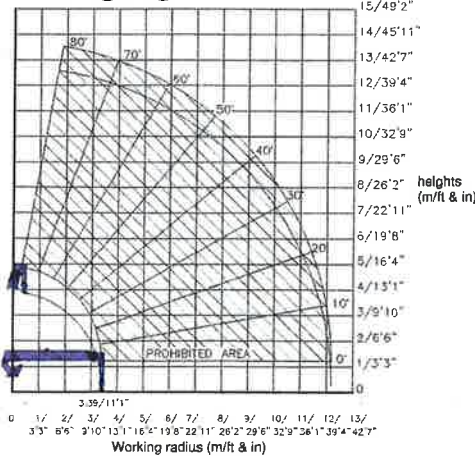
5.96m/19'6"boom		8.16m/26'9"boom		10.33m/33'10"boom		12.50m/41' boom	
working radius (m/ft & in)	total rated load (ton/lb)	working radius (m/ft & in)	total rated load (ton/lb)	working radius (m/ft & in)	total rated load (ton/lb)	working radius (m/ft & in)	total rated load (ton/lb)
2.5/8'2" or less	0.45/992	2.7/8'10"	0.45/992	4.0/13'1"	0.45/992	4.5/14'9" or less	0.45/992
3.0/9'10"	0.45/992	3.0/9'10"	0.45/992	4.5/14'9"	0.45/992	5.0/16'4"	0.45/992
3.5/11'5"	0.45/992	3.5/11'5"	0.45/992	5.0/16'4"	0.45/992	6.0/19'8"	0.45/992
4.0/13'1"	0.45/992	4.0/13'1"	0.45/992	6.0/19'8"	0.45/992	7.0/22'11"	
4.5/14'9"	0.45/992	4.5/14'9"	0.45/992	7.0/22'11"	0.45/992	8.0/26'2"	
5.0/16'4"	0.45/992	5.0/16'4"	0.45/992	8.0/26'2"	0.45/992	9.0/29'6"	
5.63/18'5"	0.45/992	5.5/18'	0.45/992	9.0/29'6"	0.45/992	10.0/32'9"	
		6.0/19'8"	0.45/992	10.0/32'9"		11.0/36'1"	
		7.0/22'11"	0.45/992			12.17/39'11"	
		7.83/25'8"	0.45/992				

※The total rated load is based on the actual working radius including the deflection of the crane boom, the weight of hook block(30kg/66 lb) on a flat surface condition.

Searcher hook length 700mm/27"
dead load weight 18.5kg/40 lb

Pick and carry option

Working range



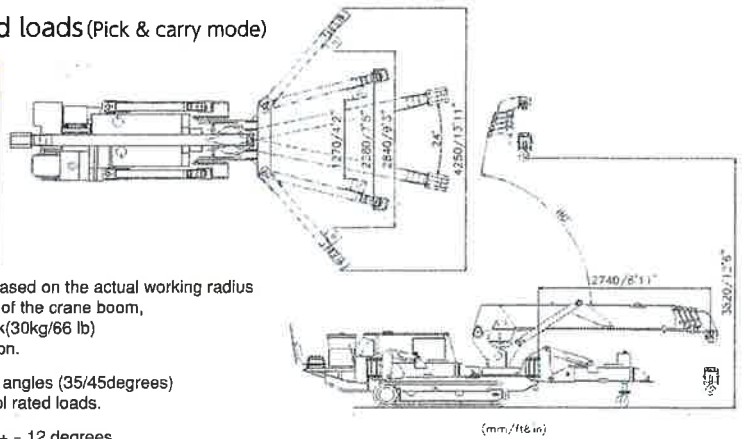
The total rated loads (Pick & carry mode)

3.39m/11'1"boom	
working radius (m/ft & in)	total rated load (ton/lb)
1.0/3'3" or less	0.5/1102
2.0/6'6"	0.5/1102
3.0/9'10"	0.5/1102
3.39/11'1"	0.5/1102

※The total rated load is based on the actual working radius including the deflection of the crane boom, the weight of hook block(30kg/66 lb) on a flat surface condition.

※Fly jib has 2 types of tilt angles (35/45degrees) which has the same total rated loads.

※Slewing range is within + - 12 degrees from the center front of Pick & carry position.



Safety precautions

- Make sure to read the operation manual before using the product. Be sure to extend and set up the outriggers properly before operation. Read the operation manual for the proper outriggers set up.
- Specifications and design are subject to change without notice due to improvement and the product may differ from the descriptions and photos in the catalog.

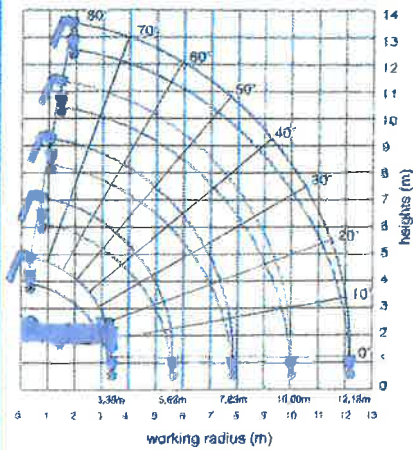


MIGHTY CRANE specifications for CR335D series

※ The total rated load is based on the actual working radius including the deflection of the crane boom, and the weight of hook block 30kg on a flat surface condition.

STANDARD MODEL

■ Working range



※ Working radius and lifting height are based on unloaded condition, excluding deflection of the boom.

■ The total rated loads

10.0m boom		8.0m boom		6.0m boom		4.5m boom	
working radius (m)	total rated load (ton)	working radius (m)	total rated load (ton)	working radius (m)	total rated load (ton)	working radius (m)	total rated load (ton)
2.5 or less	2.98	2.7	2.27	4.0	1.08	4.5 or less	0.79
3.0	2.39	3.0	2.12	4.5	0.985	5.0	0.86
3.5	1.99	3.5	1.68	5.0	0.88	6.0	0.52
4.0	1.71	4.0	1.44	6.0	0.77	7.0	0.43
4.5	1.49	4.5	1.28	7.0	0.67	8.0	0.38
5.0	1.34	5.0	1.11	8.0	0.57	9.0	0.34
5.83	1.16	5.5	0.99	9.0	0.50	10.0	0.31
		6.0	0.88	10.0	0.43	11.0	0.28
		7.0	0.73			12.18	0.26
		7.83	0.63				

※ Figures in each table include 30kg of hook block.

MIGHTY CRANE OPTIONS

Searcher hook

- high accessibility to walls and ceilings
- wide variety of applications, e.g. installment of large panel, sash, glass, curtain wall, etc.

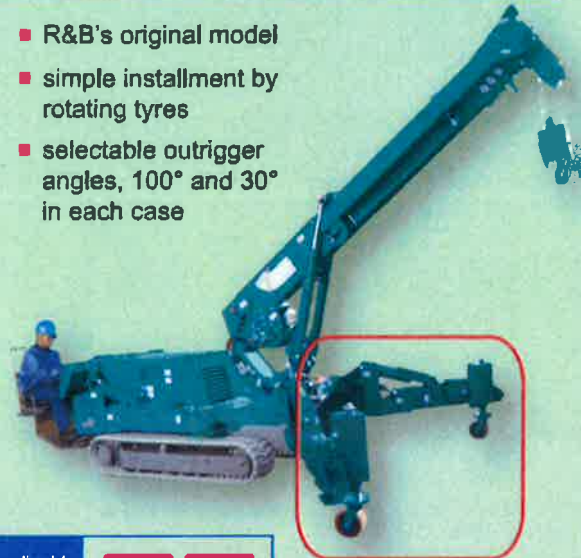


applicable

CR335D-M CR335D-ME
CR285D-M CR285D-ME

Pick & Carry

- R&B's original model
- simple installment by rotating tyres
- selectable outrigger angles, 100° and 30° in each case

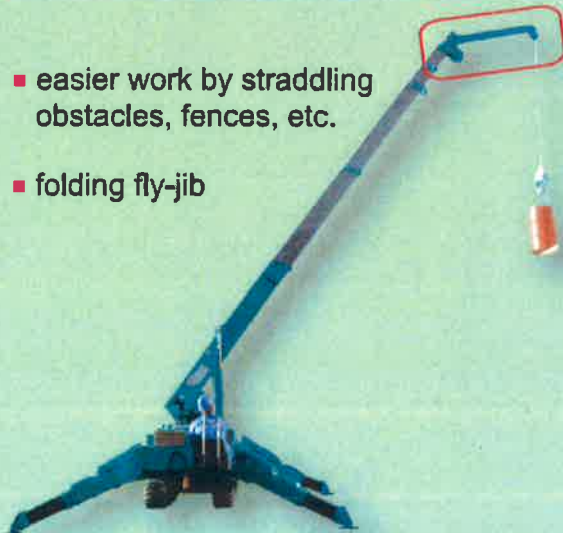


applicable

CR335D-M CR335D-ME

Fly-jib

- easier work by straddling obstacles, fences, etc.
- folding fly-jib



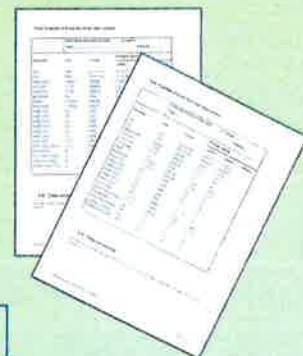
applicable

CR335D-M CR335D-ME
CR285D-M CR285D-ME

Data logger

NEW!

- FEM5.018(CE) compliant
- tamper-proof, black box style of crane data recording system
- able to track crane record and performance for efficient fleet management and optimization



applicable

CR335D-M CR335D-ME
CR285D-M CR285D-ME